

Overall Source Layout Status

Aug/7/2018

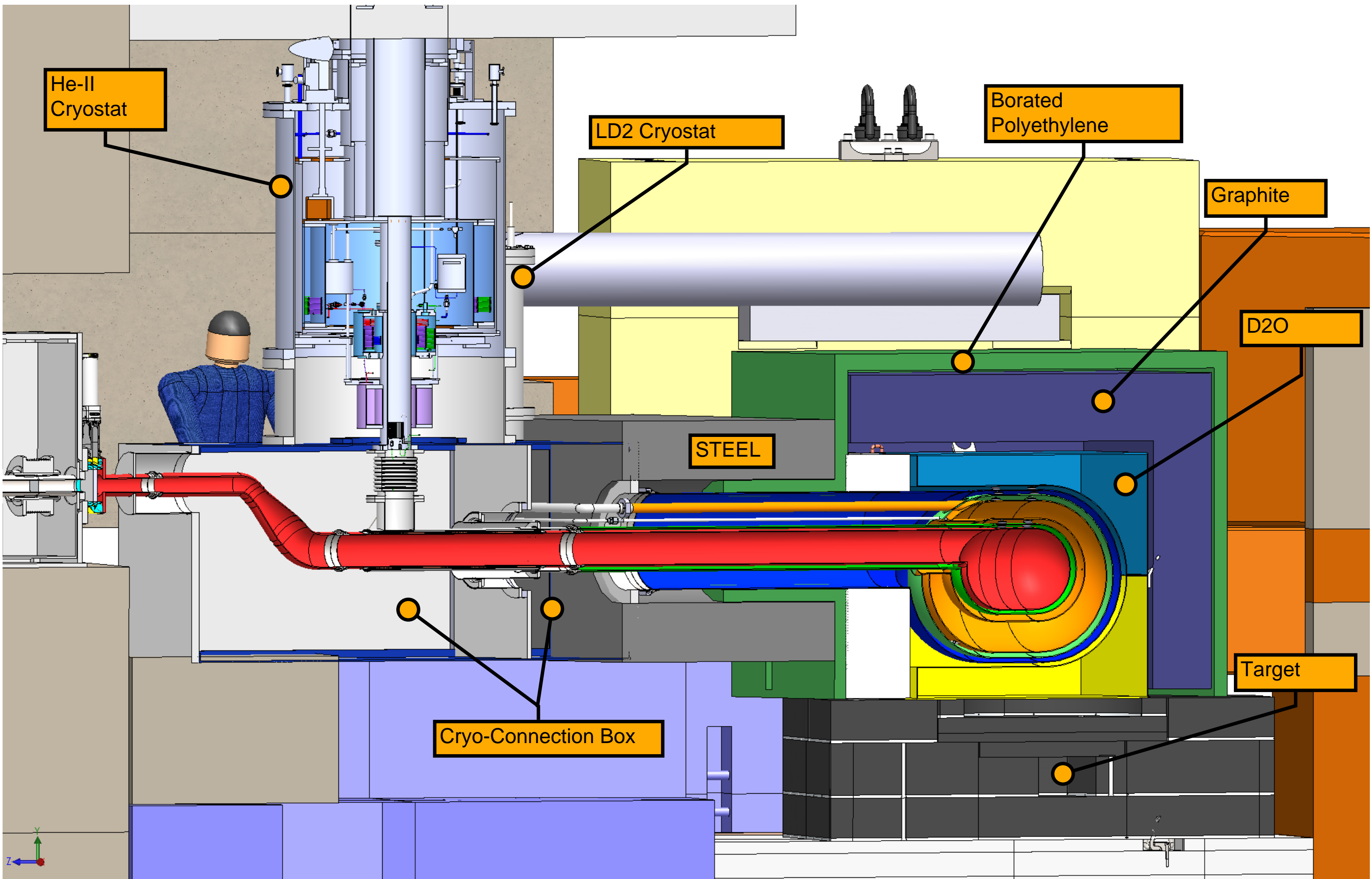
- Target Pit
 - Tail section
 - D20 split vessel

- Target to Cryostat Shielding
 - Minimized Tail diameter

- Cryostat Pit
 - Cryo-Connection Box
 - Limited space
 - Prompt Field & equipment

- Cryostat Shielding
 - Accessible

- Pumping System
 - Accessible



He-II
Cryostat

LD2 Cryostat

Borated
Polyethylene

Graphite

D2O

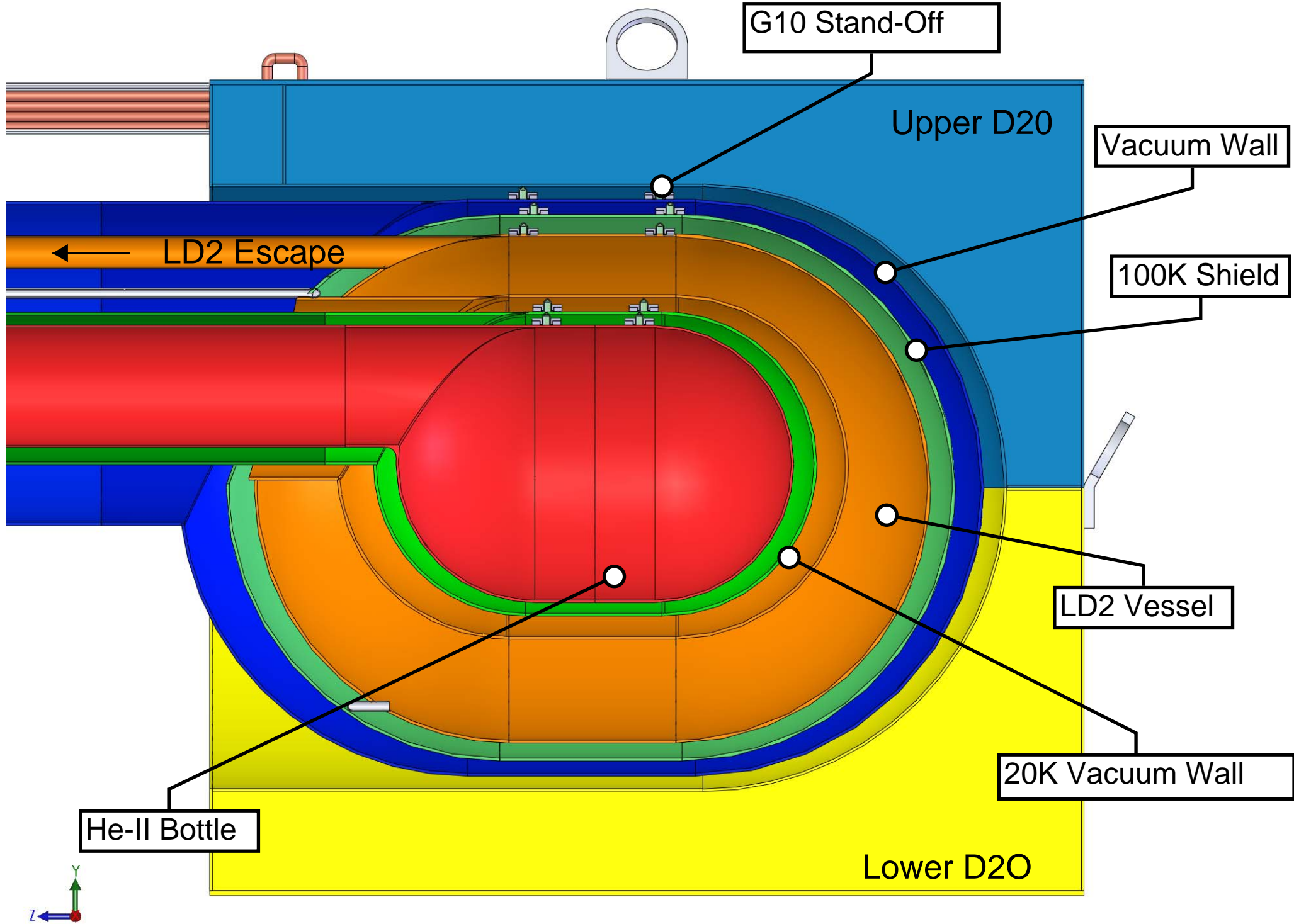
STEEL

Target

Cryo-Connection Box



"Tail Section"



Cryo-Connection Box

LD2 Supply & Escape

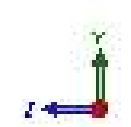
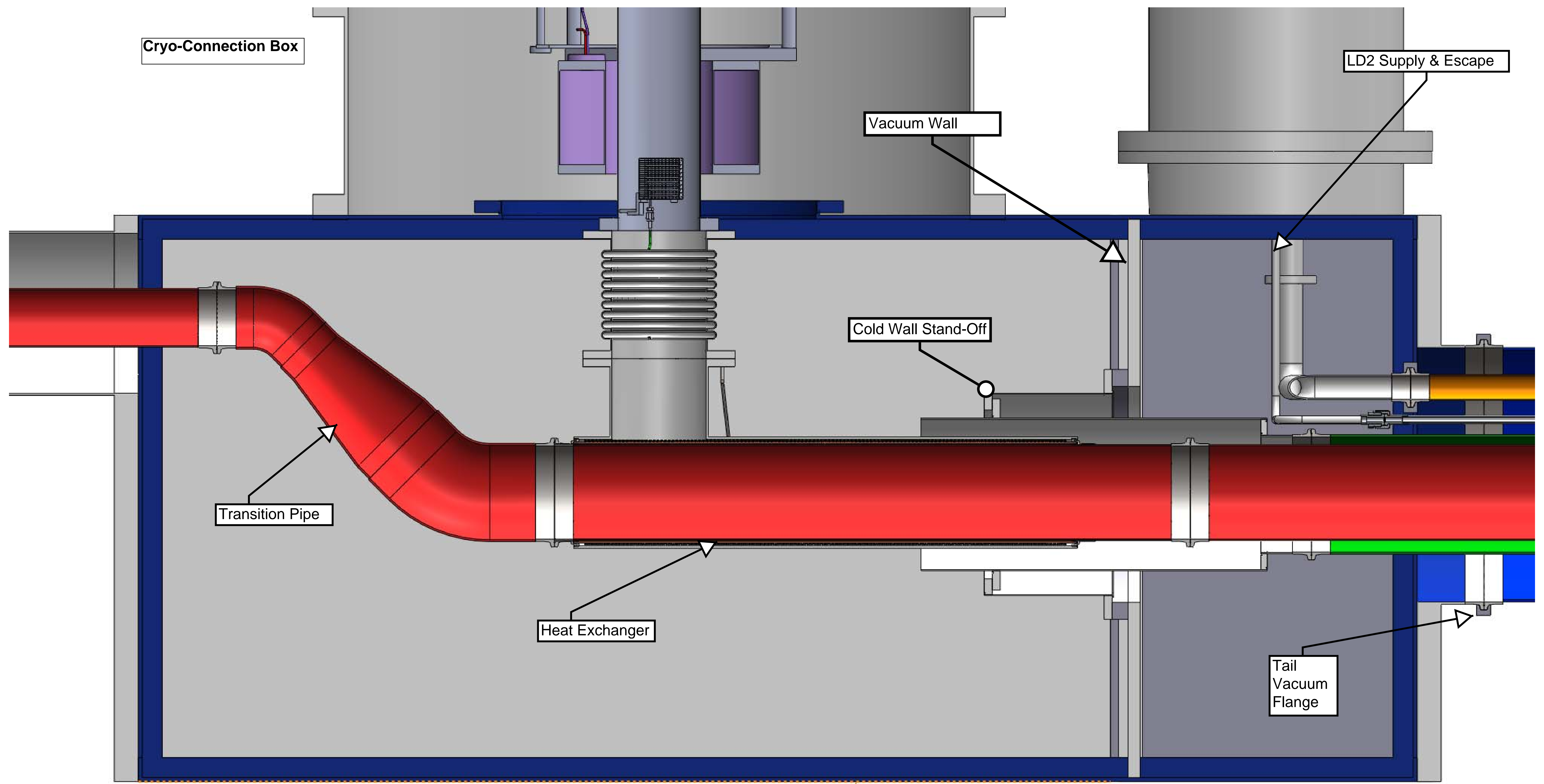
Vacuum Wall

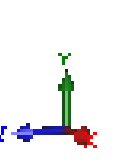
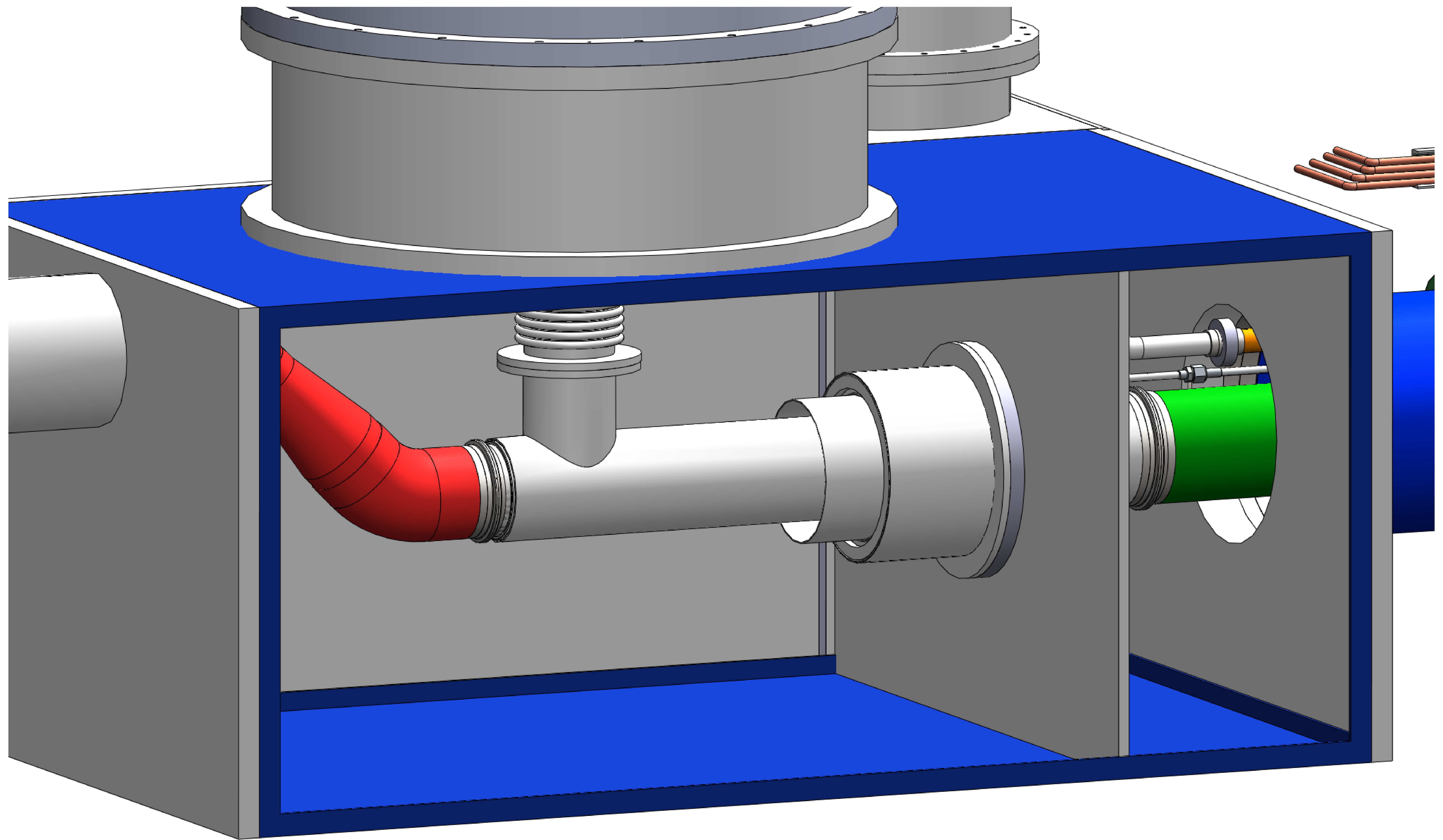
Cold Wall Stand-Off

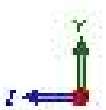
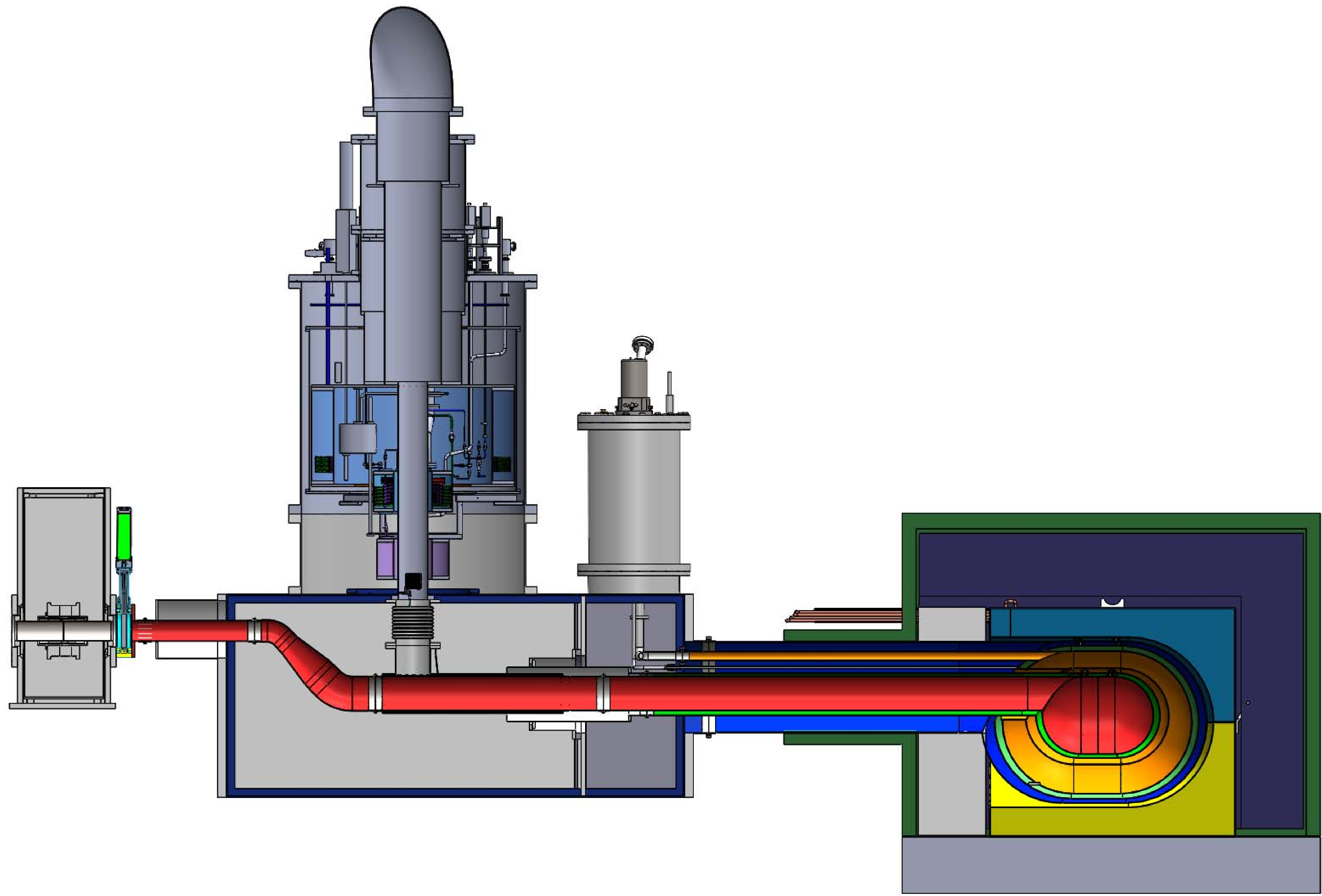
Transition Pipe

Heat Exchanger

Tail Vacuum Flange







Target Pit Area

LD2 Cryostat

